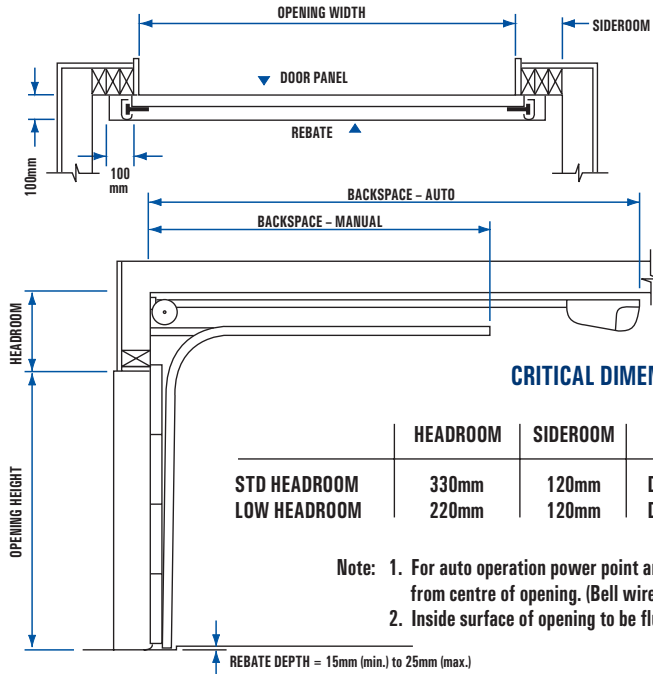


Sectional Door Framing Instructions

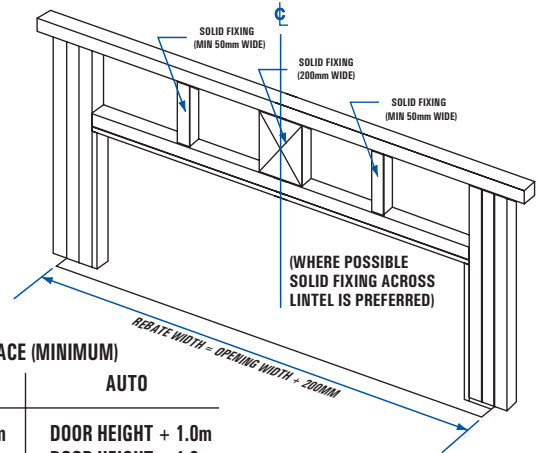
Note: With ongoing product developments, the manufacturer retains the right to change products and specifications without prior notification. If a specification is critical to the end use, please discuss with your Garador Dealer first.



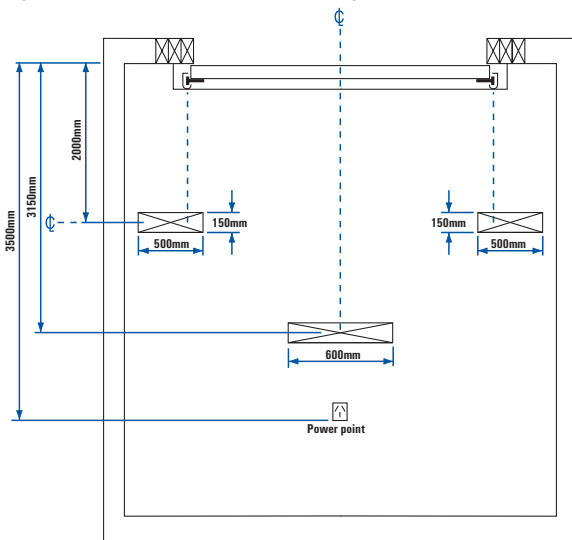
CRITICAL DIMENSIONS

	HEADROOM	SIDEROOM	BACKSPACE (MINIMUM)	
			MANUAL	AUTO
STD HEADROOM	330mm	120mm	DOOR HEIGHT + 150mm	DOOR HEIGHT + 1.0m
LOW HEADROOM	220mm	120mm	DOOR HEIGHT + 150mm	DOOR HEIGHT + 1.0m

- Note:**
1. For auto operation power point and bell wire (if required) to be fitted 3.5m back from centre of opening. (Bell wire to be run near to access door.)
 2. Inside surface of opening to be flush to enable door fittings to be fixed correctly.

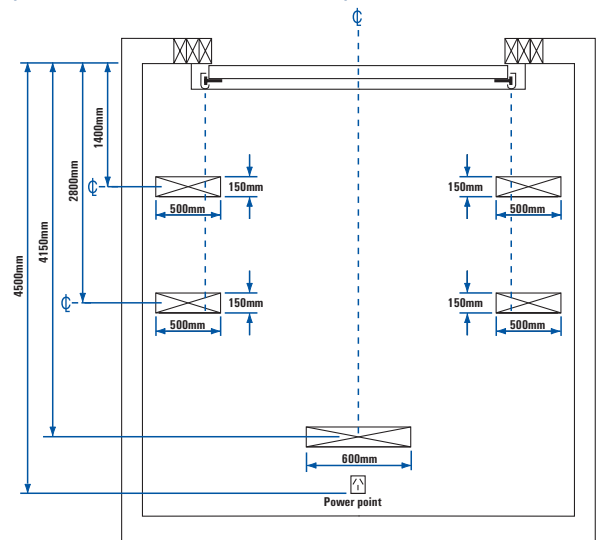


NOGGING DETAIL FOR SECTIONAL UP TO 2.3M HIGH (TRACK AND MOTOR FIXINGS)



Note: The details shown are for 2.3m Maximum height Sectional Door with Standard 330mm Headroom. Also for Intermediate Headroom of 220mm with springing to front.

NOGGING DETAIL FOR SECTIONAL 2.35 – 3.35M HIGH (TRACK AND MOTOR FIXINGS)



Note: The details shown are for 3.35m Maximum height Sectional Door with Standard 330mm Headroom. Also for Intermediate Headroom of 220mm with springing to front. Measurements for motor with 1m extension.

0800 427 236
www.garador.co.nz

Contact: